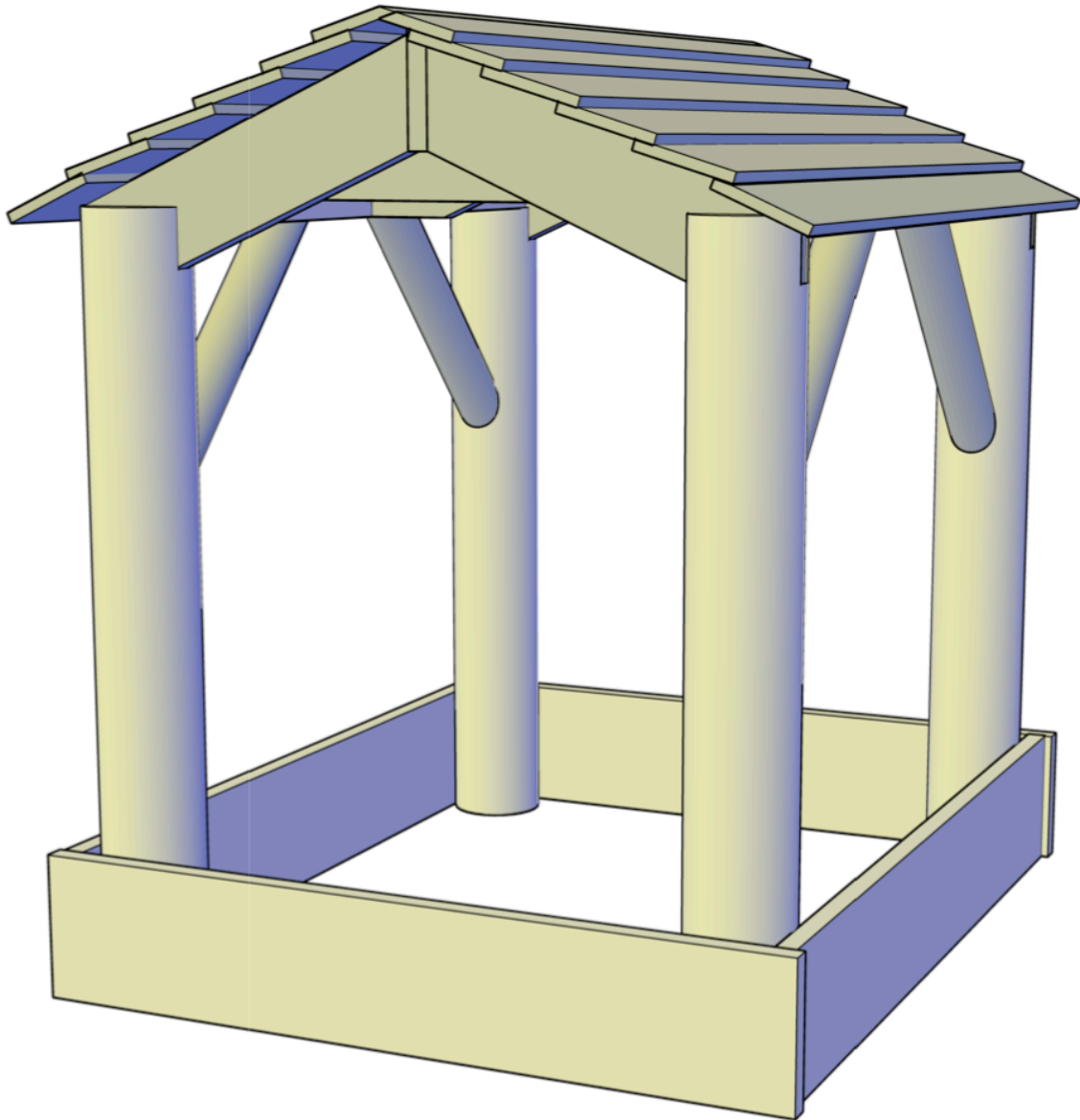


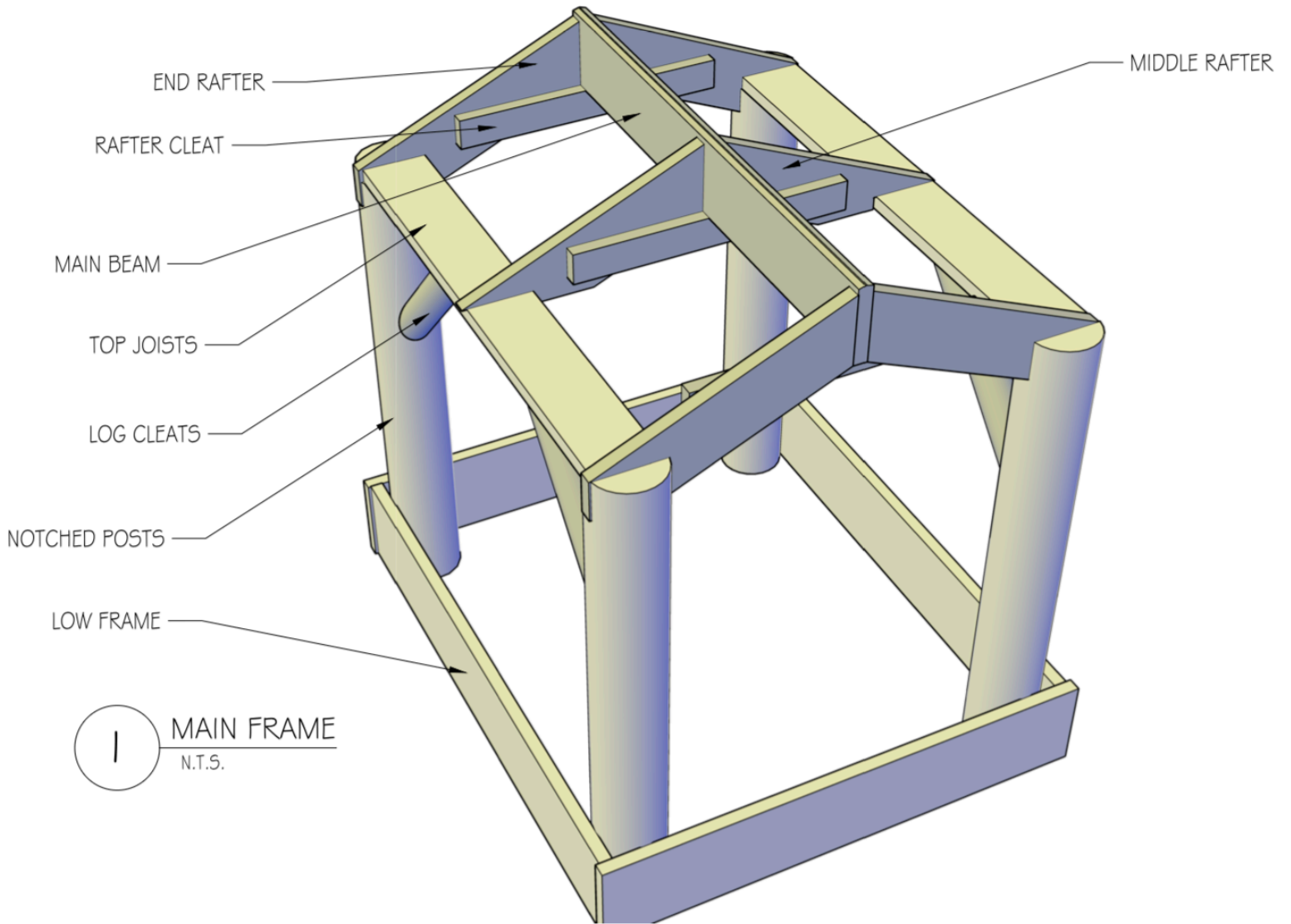


Log House

Installation Instructions



Log House Installation Instructions



Log House

Installation Instructions

NOTES: Please check for any damage caused by the shipping company and take appropriate steps to file a claim, if needed.

*Please call **Digsafe** and check for any underground utilities before digging anywhere.

Materials needed

Cordless drill/driver, T25 bit, 5/16" or 8mm nut driver bit, post hole shovel, spade shovel, level, tape measure, hand tamp, 6' ladder, and thirty two (32) 50lb bags of fast-setting premixed concrete (not included). Concrete amount required may vary depending on how deep you can get the holes. Concrete amounts can be easily calculated at <http://www.quikrete.com/Calculator/Main.asp>.

Instructions

1. Remove items from pallet or packaging. You should find four (4) 2x12 lower frame boards, four (4) notched log posts, four (4) log cleats, two (2) top joists, four (4) end rafters, two (2) middle rafters, three (3) rafter cleats, (1) main beam, and one (1) package of hardware.

2. First, assemble the lower frame using the hardware provided.

**Note:* It is recommended to assemble the lower frame on flat ground (such as a parking lot), then be carried to desired installation location. All pieces are labeled for easy assembly.

3. Determine where you want to place the log house (the base is 5' x 5'-11"), and excavate a 10' x 10' area 12" deep. The excavation area is larger than the base to provide room to work.

4. Compact the 10'x10' area with a plate compactor or hand tamp.

5. Place the lower frame in the 10'x10' area, and install the logs in the corresponding labeled four corners as shown in Image 1 and 2 below. The notch in the log is highlighted in yellow.

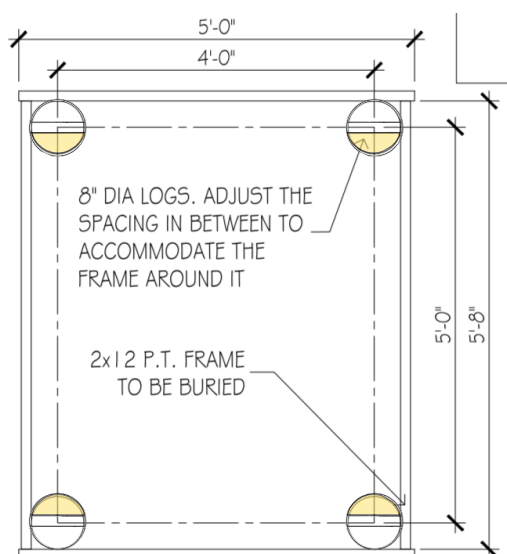


Image 1: Lower Frame and Log Layout

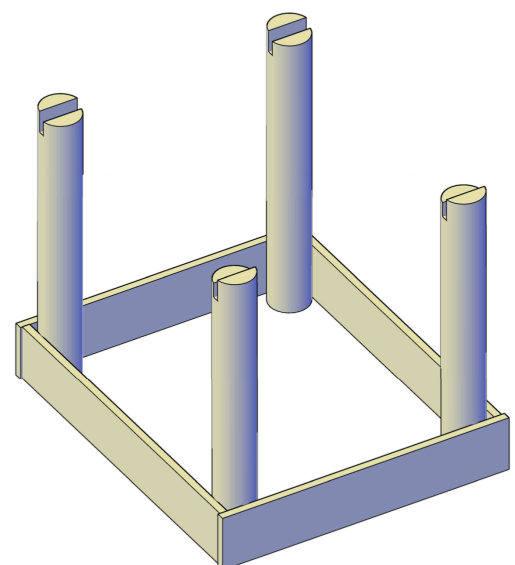


Image 2: Post Orientation

Log House Installation Instructions

6. Install the two top joists as shown in Image 3 below, securing them to the logs through the predrilled holes.

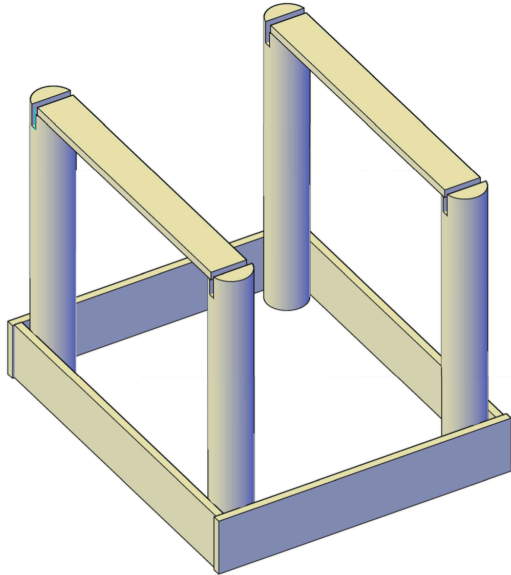


Image 3: Top Joists

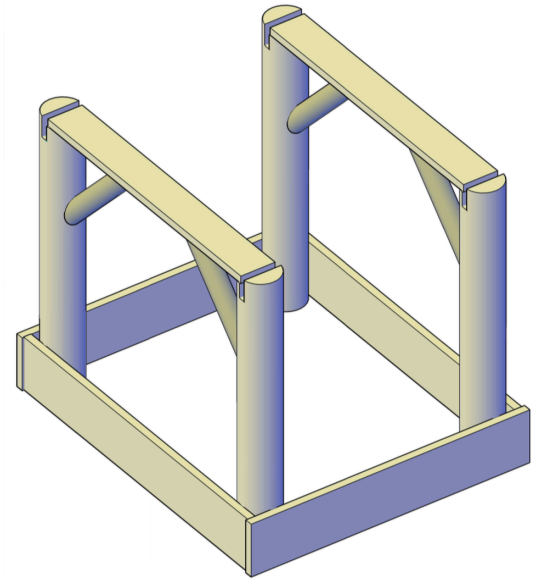


Image 4: Log Cleats

7. Next, install the four log cleats attaching them to the logs and top joists shown in Image 4 above.

8. Now you'll assemble the three rafters, then install them. Lay out the two end rafters and the middle rafter on flat ground and attach them with the rafter cleat, as shown in Image 5 below, lining up the predrilled holes in the rafter cleat and rafters.

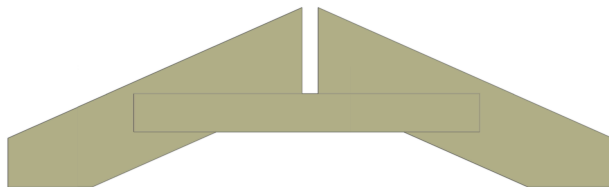


Image 5: Rafter Assembly

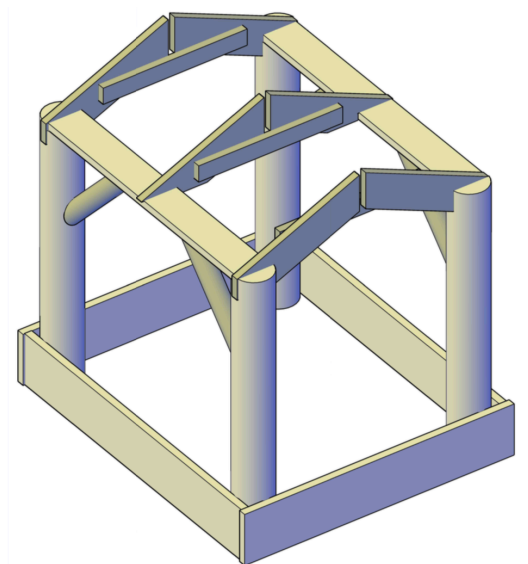


Image 6: Rafter Installation

Log House

Installation Instructions

9. Insert the end rafters in the log cut outs and secure them driving screws in the pre marked locations, then do the same for the middle rafter as shown in Image 6 on page 4.
10. Now you'll drop the main beam in place making sure the ends are flush with the end rafters, then secure the rafters to it in the pre-marked holes.
11. Lastly, we'll install the roof. Fasten the boards shown on the right side of Image 7 below to the rafters starting with the end board, then the middle boards, and lastly top board 2.

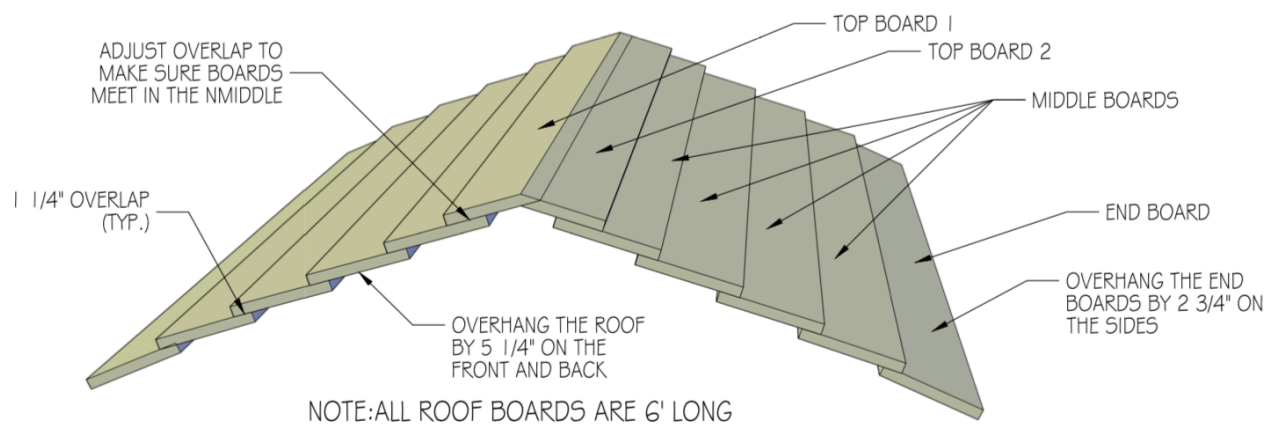


Image 7: Roof Installation

12. Fasten the boards shown on the left side of Image 7 above to the rafters starting with the end board, then the middle boards, and lastly top board 1.
13. Backfill around the lower frame and hand tamp good draining soil firmly to 3" below finished grade (top of lower fram). Install top soil to finish grade and plant grass to fill in around holes.
14. Fill inside of log house with material of your choice (we recommend wood chips).
15. All wood is treated with kid-friendly preservative, but as is the case with all wood facing the elements, it needs to be cared for, so check it periodically for rough spots, splinters, etc, and sand them out, and treat it with kid-friendly wood preservative (we have it available if you can't find it) once or twice a year to keep the wood from deteriorating.
16. Enjoy your Log House!